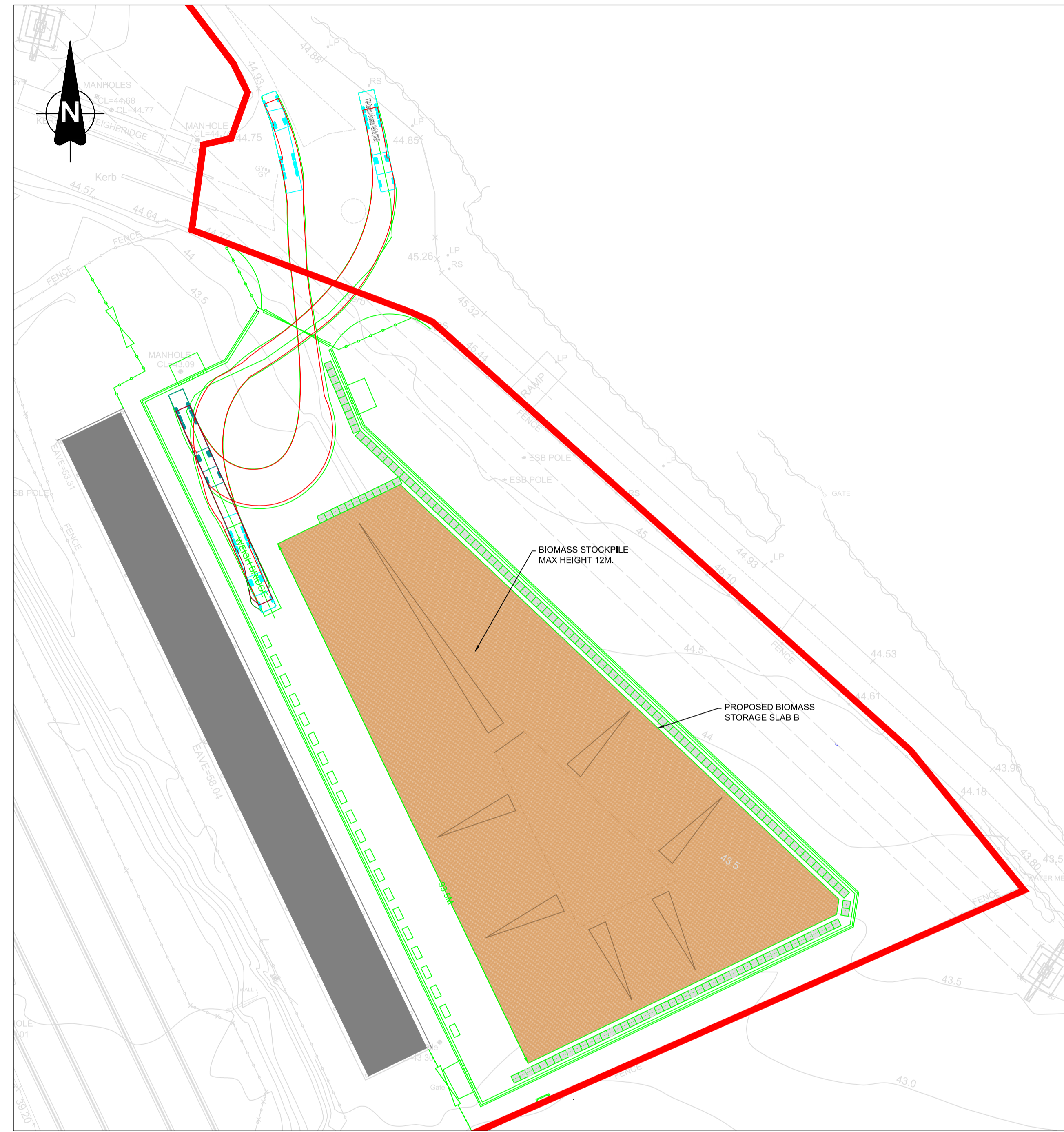
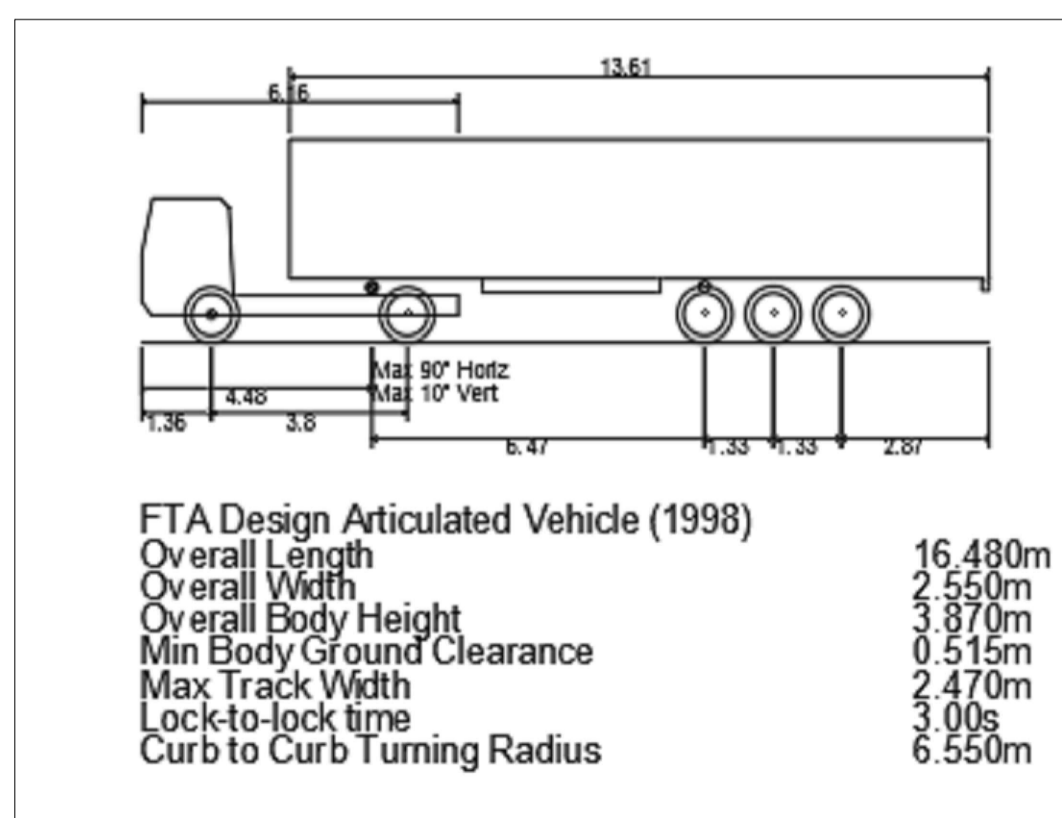


PELLET SILO INTAKE AREA AND BIOMASS STORAGE SLAB A- VEHICLE TURNING PATH



BIOMASS STORAGE SLAB B - VEHICLE TURNING PATH



- NOTES:
1. THIS DRAWING IS FOR PLANNING APPLICATION PURPOSES ONLY.
 2. DRAWING NOT TO BE SCALED. FIGURED DIMENSIONS ONLY TO BE USED.
 3. ALL LEVELS TO MALIN HEAD METRES ABOVE DATUM

LEGEND

PLANNING APPLICATION BOUNDARY:	
EXISTING GROUND LEVEL (MOD):	+ 44.50
PROPOSED GROUND LEVEL (MOD):	+ 44.50
1M CONTOUR LINE:	43.0
0.5M CONTOUR LINE:	42.5
EXISTING FENCE:	
PROPOSED FENCE:	
EXISTING HEDGE:	
PROPOSED CONCRETE SLAB:	
PROPOSED BIOMASS STOCKPILE:	



REFERENCE: OSI MAP NO: OY013-10

		ESBI	Bm
0	18.10.18	ISSUED FOR PLANNING	HOK PK DK PN BH
REV	DATE	REVISION DESCRIPTION	DRN VER APP DRN VER APP

COPYRIGHT © ESB INTERNATIONAL LIMITED
 ALL RIGHTS RESERVED. NO PART OF THIS WORK MAY BE MODIFIED, REPRODUCED OR COPIED IN ANY FORM OR BY ANY MEANS - GRAPHIC, ELECTRONIC OR MECHANICAL, INCLUDING PHOTOCOPIING, RECORDING, TAPING OR USED FOR ANY PURPOSE OTHER THAN ITS DESIGNATED PURPOSE, WITHOUT THE WRITTEN PERMISSION OF ESB ENGINEERING & FACILITY MANAGEMENT LTD., TRADING AS ESB INTERNATIONAL.

PURPOSE OF ISSUE - PRELIMINARY UNLESS INDICATED
 CLIENT APPROVAL PLANNING TENDER CONSTRUCTION AS-BUILT

CLIENT: ESB

PROJECT: WEST OFFALY POWER TRANSITION TO BIOMASS

ENGINEER DESIGN: **BORD na MÓNA** Naturally Driven
 Engineering Department, Leabeg, Tullamore, Co. Offaly. Tel: 057 9345900

CONTRACT: WOP - TRANSITION TO BIOMASS

DRAWING TITLE: PELLET SILO INTAKE AND BIOMASS STORAGE SLAB A AND B VEHICLE TURNING PATHS

PRODUCTION UNIT: CIVIL & ENVIRONMENTAL ENGINEERING

ESB INTERNATIONAL
 One Dublin Airport Central, Dublin Airport, Clonsilla, Co. Dublin
 Tel: 353 1 703 8000 Email: marketing@esbi.ie
 Web: www.esbinternational.ie
 ESB International is a trading name of ESB Engineering & Facility Management Ltd
 Registered Office: as above Registered in Ireland No. 155249

DRAWN	VERIFIED	APPROVED	APPROVAL DATE
DK	HOK	PK	18.10.18
CLIENT REF	NO. OF SHTS	SIZE	SCALE
	1	A1	1:500

DRAWING NUMBER: QS-000206-01-D460-039
 REV: 0